

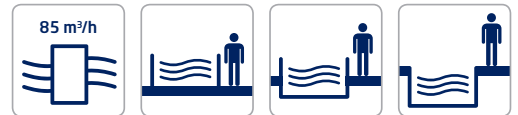


Cover, nozzles and control elements made from stainless steel >

Delivery with stainless steel hand rails >



Scan the QR code for the BADUJET counter swim units application video ...



Scope of delivery

Pre-assembly kit

- Plastic housing
- Shut-off valve
- Clamping ring, screws and seals

Final assembly kit

- Complete nozzle housing with two swivelling nozzles and screws
- Stainless steel cover and suction cover
- Suction/pressure line 75 mm
- Switching device
- BADU 21-81/33 G 29° or BADU 21-81/34 G 29°

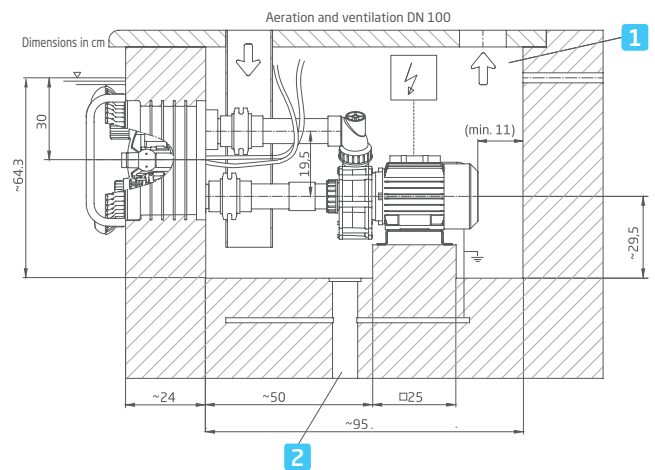
Note

If you use longer suction and pressure lines, please make sure they are wide enough in order to avoid power loss - see also page 140.

Dimensions

Detailed dimensions available on request or at badu.de

Recommended installation example



1 Shaft width min. 70 cm

2 Floor drainage

BADUJET Perla

Overhang unit with high gloss finish and LED lighting.
For medium-size pools. UV resistant, scratch and stain resistant.

Field of application

For expanding all pool models as an attraction, for fitness training, as a wave or bubble bath, for underwater massages (consult physician) for endless, no-turn swimming even in the smallest pool.

Design

Water is drawn in through the suction inlet at the bottom of the unit using a powerful pump and led back into the pool through a strong jet via an adjustable nozzle. The BADUJET Perla can be fitted with an easy-care, high quality, wood-look design inlay.

For recommended accessories see page 126.

Materials used

Housing ABS/PMMA
Interior parts PP/ABS/stainless steel
Control elements ABS
Suction/pressure line PVC/ABS

| Technical data at 50 Hz | BADUJET Perla | 21-81/31 RG | 21-81/31 RG |
|----------------------------------------------------------------------|---------------|----------------|-------------|
| Pump flow rate (m ³ /h) | 3~/1~ | 40 | 40 |
| Voltage | 3~/1~ | 3 N~ 400/230 V | 1~ 230 V |
| Power input P ₁ /output P ₂ ¹⁾ (kW) | 3~/1~ | 2.10/1.60 | 2.30/1.60 |
| Number of nozzles (Ø 40 mm) | | 1 | 1 |
| Flow pressure at nozzle (bar) | 3~/1~ | 0.90 | 0.90 |
| Flow velocity in centre 2 m from the nozzle (m/s) | 3~/1~ | 1.10 | 1.10 |
| Massage pressure (bar) max. | 3~/1~ | 1.20 | 1.20 |
| Multi-directional swivel nozzle (degrees) | | 60 | 60 |

For more detailed information regarding the motor protection please see page 141.

| Article no | Description | Voltage | Power output P ₂ |
|--------------|-----------------------------------|----------------|-----------------------------|
| 231.7600.000 | BADUJET Perla - white LED | 1~ 230 V | 1.60 kW |
| 231.7620.000 | BADUJET Perla - multicoloured LED | 1~ 230 V | 1.60 kW |
| 231.7500.000 | BADUJET Perla - white LED | 3 N~ 400/230 V | 1.60 kW |
| 231.7520.000 | BADUJET Perla - multicoloured LED | 3 N~ 400/230 V | 1.60 kW |
| 231.9851.000 | Telescopic foot | | |

The pumps in the counter swim units can be used for pool water with a salt concentration of up to 0.5 %, i.e. 5 g/l.
For higher salt concentrations please contact us.