



SERIE ROMA

BLOWER SAND FILTERS

- Blower filters in a single piece in high density polyethylene.
- Transparent lid or top valve, with clamp closing system.
- The clamping ring is available as spares and can be replaced without removing the sand or disassembling the interior of the filter.
- Fitted with pressure gauge, water drain, and air drainage.
- Multiport valve with six positions: filter, backwash, rinse, recirculation, waste and closed.

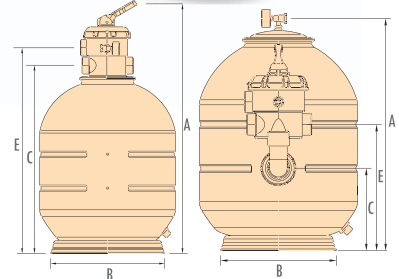
فیلترشنی ROMA

- فیلترهای شنی Roma از قطر ۴۰۰ تا ۶۰۰ میلیمتر.
- همراه با شیر شش راهه بالا و مانومتر.
- دارای لوله جهت تخلیه هوا.



CODE	TYPE	Ø	CON.	FLOW DÉBIT m³/h V=50m³/h/m²	SAND Kg	POOL m³ (filtr. 8h)	DIMENSIONES				PACKING FILTER			PACKING VALVE		
							A	B	C	E	CODE	Kg GROSS	VOL. m³	CODE	Kg GROSS	VOL. m³
FEC-400-VT	top	400	1 1/2"	6	50	48	825	340	595	660	FEC-400-VT	12,0	0,186	PS-6405	(included)	
FEC-450-VT	top	450	1 1/2"	8	70	64	870	340	645	705	FEC-450-VT	14,0	0,186	PS-6405	(included)	
FEC-500-VT	top	500	1 1/2"	10	100	80	915	430	690	750	FEC-500-VT	16,0	0,243	PS-6405	(included)	
FEC-600-VT	top	600	1 1/2"	14	150	112	1015	430	790	850	FEC-600-VT	19,0	0,351	PS-6405	(included)	
FEC-400-VL	lateral	400	1 1/2"	6	50	48	610	340	235	360	FEC-400-L	11,0	0,139	PS-6103	2,3	0,011
FEC-450-VL	lateral	450	1 1/2"	8	70	64	655	340	230	355	FEC-450-L	13,0	0,139	PS-6103	2,3	0,011
FEC-500-VL	lateral	500	1 1/2"	10	100	80	700	430	240	365	FEC-500-L	15,0	0,195	PS-6103	2,3	0,011
FEC-600-VL	lateral	600	1 1/2"	14	150	112	800	430	290	415	FEC-600-L	18,0	0,283	PS-6103	2,3	0,011

These codes include the filter valve



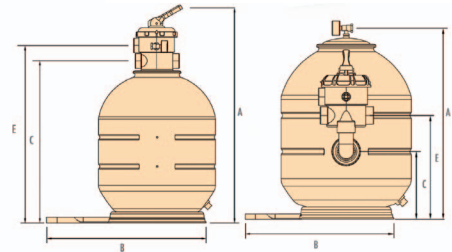
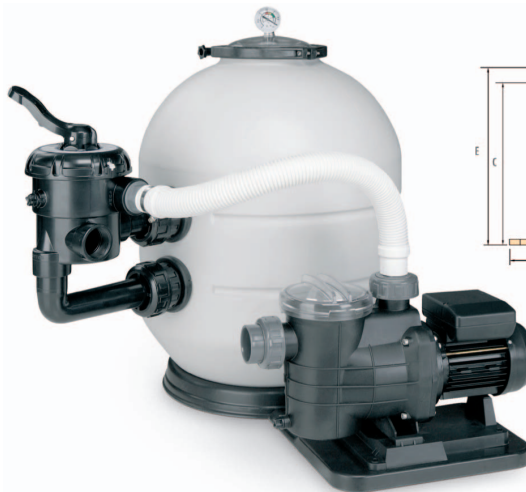
SERIE ROMA MONOBLOCK

BLOWER SAND FILTERS

- Blower filters in a single piece in high density polyethylene.
 - Transparent lid or top valve, with clamp closing system.
 - The clamping ring is available as spares and can be replaced without removing the sand or disassembling the interior of the filter.
 - Fitted with pressure gauge, water drain, and air drainage.
 - Multiport valve with six positions: filter, backwash, rinse, recirculation, waste and closed.
 - Includes the base and the connection hose to the pump.
- Note: The pumps are NOT included in the monoblocks. They must be ordered separately.

پکیج تصفیه ROMA

- پکیج شامل یک دستگاه پمپ سری America به همراه شاسی و یک دستگاه فیلتر شنی سری Roma و رابط خرطومی بین پمپ و فیلتر و بست و سایر اتصالات مربوطه می باشد.
- تذکر: در صورت نیاز امکان ست کردن پمپ های اسپ و ۱.۵ اسپ با فیلترهای قطر ۴۰۰ و ۴۵۰ وجود دارد.



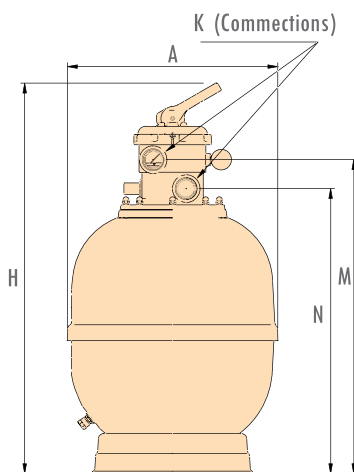
CODE	TYPE	Ø	CON.	FLOW DÉBIT m³/h V=50m³/h/m²	SAND Kg	POOL m³ (filtr. 8h)	DIMENSIONES				PACKING FILTER			PACKING VALVE		
							A	B	C	E	CODE	Kg GROSS	VOL. m³	CODE	Kg GROSS	VOL. m³
MEC-400-VT	top	400	1 1/2"	6	50	48	825	620	595	660	MEC-400-VT	13,0	0,186	PS-6405	(included)	
MEC-450-VT	top	450	1 1/2"	8	70	64	870	620	645	705	MEC-450-VT	15,0	0,186	PS-6405	(included)	
MEC-500-VT	top	500	1 1/2"	10	100	80	915	740	690	750	MEC-500-VT	17,0	0,243	PS-6405	(included)	
MEC-600-VT	top	600	1 1/2"	14	150	112	1015	740	790	850	MEC-600-VT	20,0	0,351	PS-6405	(included)	
MEC-400-VL	lateral	400	1 1/2"	6	50	48	610	620	235	360	MEC-400-L	12,0	0,139	PS-6103	2,3	0,011
MEC-450-VL	lateral	450	1 1/2"	8	70	64	655	620	230	355	MEC-450-L	14,0	0,139	PS-6103	2,3	0,011
MEC-500-VL	lateral	500	1 1/2"	10	100	80	700	740	240	365	MEC-500-L	16,0	0,195	PS-6103	2,3	0,011
MEC-600-VL	lateral	600	1 1/2"	14	150	112	800	740	290	415	MEC-600-L	19,0	0,283	PS-6103	2,3	0,011

These codes include the filter valve



SERIE LISBOA TOP

SAND FILTERS MADE WITH POLYESTER AND FIBREGLASS



- Made of polyester resin and fibreglass (with plastic base).
- Excellent finish.
- Fitted with 1" collector arms.
- Fitted with pressure gauge, water drain, and air drainage.
- Multiport valve with six positions: filter, backwash, rinse, recirculation, waste and closed.
- The clamping ring is available as spares and can be replaced without removing the sand or disassembling the interior of the filter.
- Maximum working pressure: 2,5 Kg/cm².

فیلتر شنی Lisboa

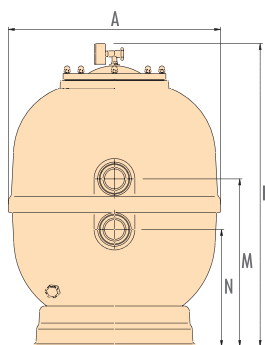
قطر ۶۵۰ میلیمتر به بالا Lisboa فیلترهای شنی همراه با شیر شش راهه بالا و مانومتر. دارای لوله جهت تخلیه هوا. جنس بدنه: فایبر گلاس و پلی استر رزین.

CODE	Ø	CONNECTION	FLOW DÉBIT m ³ /h l/s	SAND Kg	POOL m ³ (lit. Gh)	DIMENSIONS				PACKING FILTER			PACKING VALVE		
						A	H	M	N	CODE	Kg GROSS	VOL m ³	CODE	Kg GROSS	VOL m ³
FT-350	350	1 1/2"	5	50	40	370	990	800	730	FST-350	15,0	0,122	PS-6403	2,3	0,018
FT-450	450	1 1/2"	8	70	64	455	1005	815	745	FST-450	18,0	0,206	PS-6403	2,3	0,018
FT-500	500	1 1/2"	9	90	72	525	1015	825	755	FST-500	20,0	0,267	PS-6403	2,3	0,018
FT-550	550	1 1/2"	11,5	110	92	585	1035	845	775	FST-550	24,0	0,363	PS-6403	2,3	0,018
FT-600	600	1 1/2"	14	125	112	620	1060	870	800	FST-600	25,0	0,363	PS-6403	2,3	0,018
FT-650	650	1 1/2"	15	230	120	685	1115	925	855	FST-650	26,0	0,436	PS-6403	2,3	0,018
FT-680	680	1 1/2"	18	240	144	715	1125	935	865	FST-680	28,0	0,436	PS-6403	2,3	0,018
FT-750	750	2"	21	305	168	785	1235	1025	950	FST-750	33,0	0,595	PS-6404	4,1	0,028
FT-800	800	2"	25	325	200	815	1210	1000	925	FST-800	39,0	0,759	PS-6404	4,1	0,028
FT-900	900	2"	30	515	240	935	1300	1090	1015	FST-900	51,0	1,014	PS-6404	4,1	0,028
FT-950	950	2"	35	545	280	965	1300	1090	1015	FST-950	61,0	1,063	PS-6404	4,1	0,028

These codes include the filter valve

SERIE LISBOA

SAND FILTERS MADE WITH POLYESTER AND FIBREGLASS



- Made of polyester resin and fibreglass (with plastic base).
- Excellent finish.
- Plastic lid large diameter.
- Fitted with 1" collector arms and diffuser in unalterable plastic.
- Fitted with pressure gauge, water drain, and air drainage.
- Connections to multiport valve with six positions: filter, backwash, rinse, recirculation, waste and closed.
- Maximum working pressure: 2,5 Kg/cm².

CODE	Ø	CONNECTION	FLOW DÉBIT m ³ /h l/s	SAND Kg	POOL m ³ (lit. Gh)	DIMENSIONS				PACKING FILTER			PACKING VALVE		
						A	H	M	N	CODE	Kg GROSS	VOL m ³	CODE	Kg GROSS	VOL m ³
FV-350	350	1 1/2"	5	50	40	370	710	420	295	FS-350	15,0	0,116	PS-6103	2,3	0,011
FV-450	450	1 1/2"	8	70	64	455	765	430	305	FS-450	18,0	0,206	PS-6103	2,3	0,011
FV-500	500	1 1/2"	9	90	72	525	770	415	290	FS-500	20,0	0,267	PS-6103	2,3	0,011
FV-550	550	1 1/2"	11,5	110	92	585	790	455	330	FS-550	24,0	0,363	PS-6103	2,3	0,011
FV-600	600	1 1/2"	14	125	112	620	805	455	330	FS-600	25,0	0,363	PS-6103	2,3	0,011
FV-650	650	1 1/2"	15	230	120	685	860	435	310	FS-650	26,0	0,436	PS-6103	2,3	0,011
FV-680	680	1 1/2"	18	240	144	715	915	500	375	FS-680	28,0	0,436	PS-6103	2,3	0,011
FV-750	750	2"	21	305	168	785	925	570	340	FS-750	33,0	0,595	PS-6104	3,8	0,024
FV-800	800	2"	25	325	200	815	960	590	360	FS-800	39,0	0,759	PS-6104	3,8	0,024
FV-900-2	900	2 1/2"	30	510	240	935	1085	635	365	FS-900-2	51,0	1,014	PS-6200	7,8	0,061
FV-900	900	2"	30	515	240	935	1085	625	395	FS-900	51,0	1,014	PS-6104	3,8	0,024
FV-950	950	2 1/2"	35	545	280	965	1085	670	400	FS-950	61,0	1,063	PS-6200	7,8	0,061

These codes include the filter valve



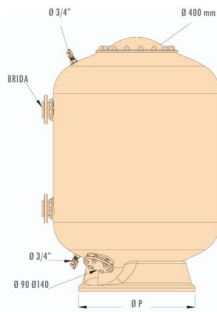
SERIE VIENA 1,0 m/1,2 m

FIBREGLASS BOBBIN FILTERS

- Filter continued bobbin with polyester resin and fibreglass.
- Filtration bed heights 1,0 m or 1,2 m.
- Ø400 upper lid made of plastic.
- Interior parts made of unalterable plastic PVC and polypropylene.
- ABS collector arms.
- Totally anticorrosive and resistant to salted water.
- Maximum working pressure: 2,5 Kg/cm².
- Option maximum working pressure of 4,0 Kg/cm².
- Maximum working temperature: 50 °C.

- قطر فیلترهای این سری از سایز ۱۰۵۰ - ۳۰۰۰ میلیمتر مناسب برای استخرهای عمومی و پارک های آبی
- بدنه از جنس فایبرگلاس و پلی استر رزین حداکثر فشار کاری ۲/۵ تا ۴ پارو حداکثر دمای کاری ۵۰ درجه سانتی گراد این فیلترها در قطرهای بالا دارای دریچه (منهول) فلنج دار و سایت گلاس می باشد.
- این فیلترها جهت استخرهای روز باز تا حجم ۱۱۲۸ متر مکعب و برای استخرهای رو بسته تا حجم ۲۲۵۶ متر مکعب طراحی شده است.
- این فیلترها دارای نازل های صفحه ای با طراحی منحصر به فرد و حداکثر فیلتراسیون می باشد.

Note: Possibility of customization.



OPTIONS

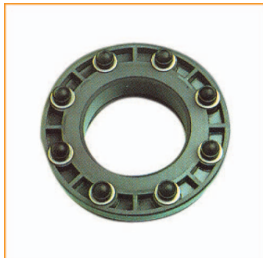
2.5 / 4.0
Kg/cm²



NOZZLE PLATE



LATERAL MANHOLE



SIGHTGLASS

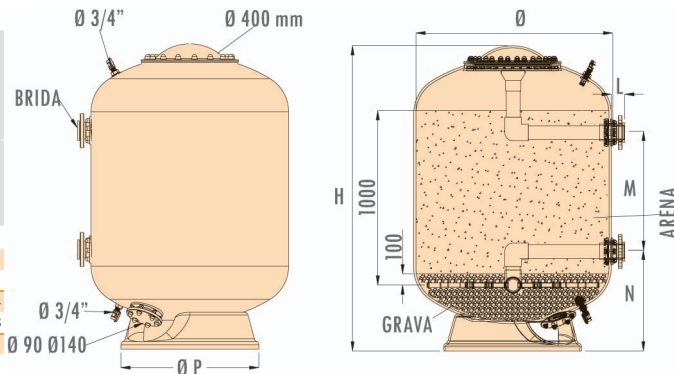


If necessary, we have filters in compliance with standard DIN 19605/19643


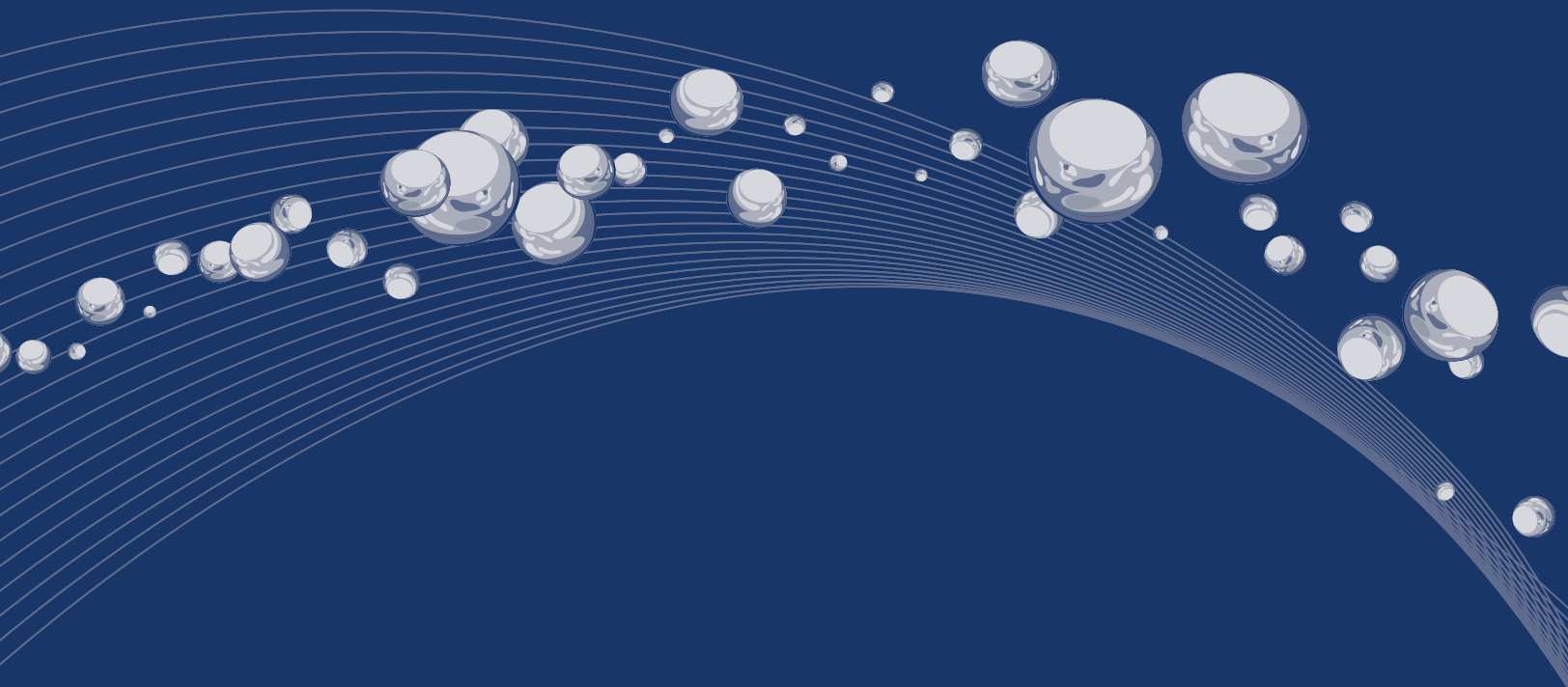
SERIE VIENA 1,0 m/1,2 m

FIBREGLASS BOBBIN FILTERS

CODE	Ø	FILTRATION RATE m ³ /h/m ²	CONNECTION		FLOW m ³ /h	POOL		
			mm	inch		m ³ (4h)	m ³ (6h)	m ³ (8h)
FI-VI10632510		20	63	2"	17	68	102	136
FI-VI10752510	1050	30 - 40	75	2 1/2"	25 - 34	100-136	150 - 204	200-272
FI-VI10902510		50	90	3"	43	172	258	344
FI-VI12752510		20 - 30	75	2 1/2"	22 - 33	88 - 132	132 - 198	176 - 264
FI-VI12902510	1200	40 - 50	90	3"	45 - 56	180-224	270-336	360-448
FI-VI14752510		20	75	2 1/2"	30	120	180	240
FI-VI14902510	1400	30	90	3"	46	184	276	368
FI-VI14112510		40 - 50	110	4"	61 - 77	244 - 308	366-462	488-616
FI-VI16902510		20	90	3"	40	160	240	320
FI-VI16112510	1600	30 - 40	110	4"	60 - 80	240-320	360 - 480	480-640
FI-VI16122510		50	125	4 1/2"	100	400	600	800
FI-VI18902510		20	90	3"	50	200	300	400
FI-VI18112510	1800	30	110	4"	76	304	456	608
FI-VI18122510		40	125	4 1/2"	101	404	606	808
FI-VI18142510		50	140	5"	125	500	750	1000
FI-VI20112510		20	110	4"	62	248	372	496
FI-VI20122510	2000	30	125	4 1/2"	94	376	564	752
FI-VI20142510		40	140	5"	125	500	750	1000
FI-VI20162510		50	160	6"	157	628	942	1256
FI-VI22142510		30	140	5"	114	456	684	912
FI-VI22162510	2200	40	160	6"	152	608	912	1216
FI-VI23122510		20	125	4 1/2"	87	348	522	696
FI-VI23142510	2350	30	140	5"	130	520	780	1040
FI-VI23162510		40	160	6"	175	700	1050	1400
FI-VI25142510		20	140	5"	100	400	600	800
FI-VI25162510	2500	30	160	6"	150	600	900	1200
FI-VI25202510		40	200	7"	200	800	1200	1600
FI-VI30162510		20	160	6"	140	560	840	1120
FI-VI30202510	3000	30	200	7"	212	848	1272	1696
FI-VI30222510		40	225	8"	282	1128	1692	2256



DIMENSIONES						SAND		PACKING	WEIGHT Kg			VOLUME m ³
Ø	H	M	N	ØP	Ø	Kg (0,4-0,8 mm)	Kg (1-2 mm)		GROSS	NET	IN SERVICE	
1050	1640	645	540	755	950	300	1	130	120	1850	2,45	
1200	1780	640	570	940	1375	300	1	165	155	2470	3,33	
1400	1755	610	585	1085	1650	450	1	213	198	3200	4,76	
1600	1835	515	680	1230	2150	675	1	270	255	4300	6,13	
1800	1876	465	720	1370	2800	750	1	300	285	5400	7,26	
2000	2040	510	790	1550	3800	1050	1	370	355	7250	9,92	
2200	2390	510	950	1830	4650	1900	1	465	450	11200	12,58	
2350	2520	965	600	1859	5275	1800	1	590	530	12550	16,97	
2500	2550	1080	450	2000	5950	2200	1	840	780	13760	19,99	
3000	2750	1100	440	2365	8600	3300	1	1410	1350	20200	28,40	



IML

Industrias Mecánicas Lago, s.a.u.
Pol. Ind. La Rasa · C/ Muntanya s/n
17481 SANT JULIÀ DE RAMIS (Girona) SPAIN
T. +34 972 170 058 · F. +34 972 172 363
info@imlago.com · www.imlago.com

A white-bordered box contains a map of Europe. The Iberian Peninsula (Spain and Portugal) is highlighted in a light grey color, and the IML logo is placed over it. To the right of the map, the company name and contact information are listed in a clean, sans-serif font.



*Designed and manufactured
in Spain*

BOMBAS, FILTROS Y ACCESORIOS DE PISCINA
POMPES, FILTRES ET ACCESSOIRES DE PISCINE