

# BADUJET Perla

Overhang unit with high gloss finish and LED lighting.  
For medium-size pools. UV resistant, scratch and stain resistant.

## Field of application

For expanding all pool models as an attraction, for fitness training, as a wave or bubble bath, for underwater massages (consult physician) for endless, no-turn swimming even in the smallest pool.

## Design

Water is drawn in through the suction inlet at the bottom of the unit using a powerful pump and led back into the pool through a strong jet via an adjustable nozzle. The BADUJET Perla can be fitted with an easy-care, high quality, wood-look design inlay.

For recommended accessories see page 126.

## Materials used

Housing ..... ABS/PMMA  
Interior parts ..... PP/ABS/stainless steel  
Control elements ..... ABS  
Suction/pressure line ..... PVC/ABS

Technical data at 50 Hz	BADUJET Perla	21-81/31 RG	21-81/31 RG
Pump flow rate (m <sup>3</sup> /h)	3~/1~	40	40
Voltage	3~/1~	3 N~ 400/230 V	1~ 230 V
Power input P <sub>1</sub> /output P <sub>2</sub> <sup>1)</sup> (kW)	3~/1~	2.10/1.60	2.30/1.60
Number of nozzles (Ø 40 mm)		1	1
Flow pressure at nozzle (bar)	3~/1~	0.90	0.90
Flow velocity in centre 2 m from the nozzle (m/s)	3~/1~	1.10	1.10
Massage pressure (bar) max.	3~/1~	1.20	1.20
Multi-directional swivel nozzle (degrees)		60	60

For more detailed information regarding the motor protection please see page 141.

Article no	Description	Voltage	Power output P <sub>2</sub>
231.7600.000	BADUJET Perla - white LED	1~ 230 V	1.60 kW
231.7620.000	BADUJET Perla - multicoloured LED	1~ 230 V	1.60 kW
231.7500.000	BADUJET Perla - white LED	3 N~ 400/230 V	1.60 kW
231.7520.000	BADUJET Perla - multicoloured LED	3 N~ 400/230 V	1.60 kW
231.9851.000	Telescopic foot		

The pumps in the counter swim units can be used for pool water with a salt concentration of up to 0.5 %, i.e. 5 g/l.  
For higher salt concentrations please contact us.



^ With white or multicoloured LED



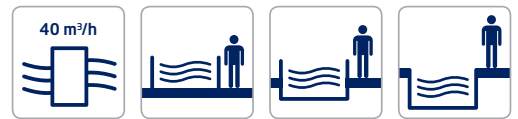
^ Also available with a telescopic foot for above ground pools



^ Also available with design inlay

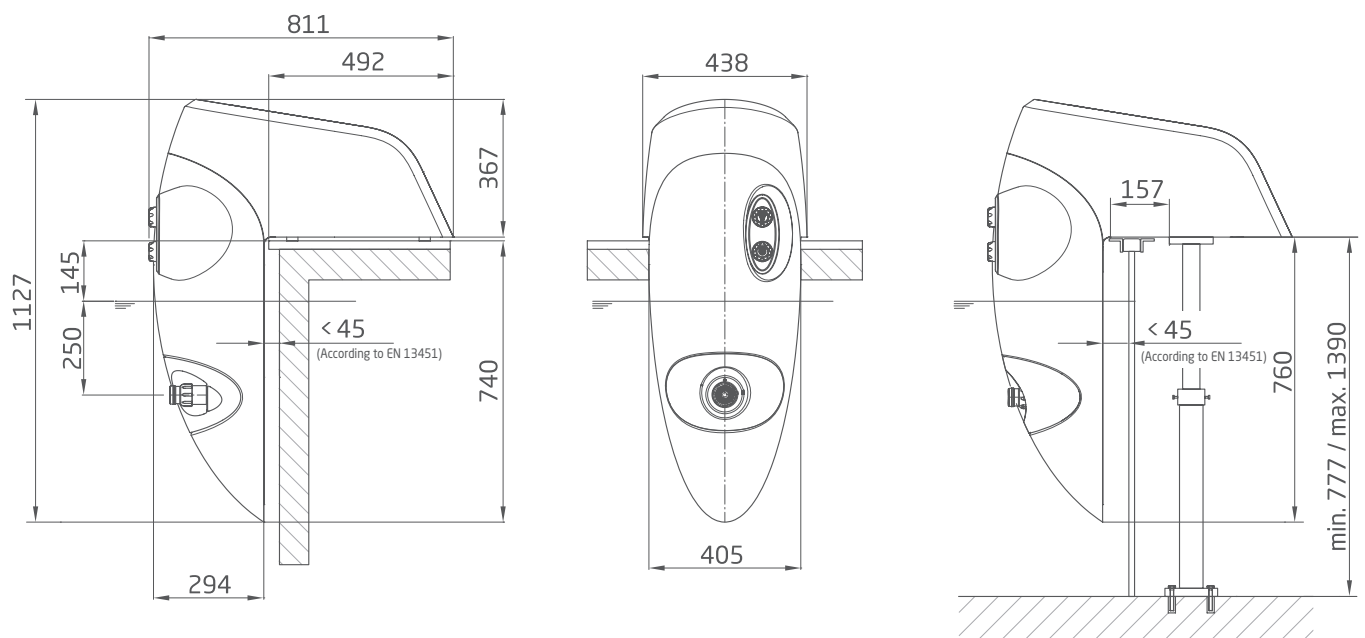


Scan the QR code for the BADUJET counter swim units application video ...



**Dimensions**

Detailed dimensions available on request or at badu.de



# BADUJET Riva

High performance overhang unit with high gloss finish and LED lighting.  
For medium-size pools. UV resistant, scratch and stain resistant.

## Field of application

For expanding all pool models as an attraction, for fitness training, as a wave or bubble bath, for underwater massages (consult physician) for endless, no-turn swimming even in the smallest pool.

## Design

Water is drawn in through the suction inlet at the bottom of the unit using a powerful pump and led back into the pool through a strong jet via an adjustable nozzle. The BADUJET Riva can be fitted with an easy-care, high quality, wood-look design inlay.

For recommended accessories see page 126.

## Materials used

Housing ..... ABS/PMMA  
Interior parts ..... PP/ABS/stainless steel  
Control elements ..... ABS  
Suction/pressure line ..... PVC/ABS

Technical data at 50 Hz	BADUJET Riva	21-81/32 G	21-81/32 RG
Pump flow rate (m <sup>3</sup> /h)	3~/1~	58	54
Voltage	3~/1~	3 N~ 400/230 V	1~ 230 V
Power input P <sub>1</sub> /output P <sub>2</sub> <sup>1)</sup> (kW)	3~/1~	3.30/2.60	2.90/2.20
Number of nozzles (Ø 40 mm)	3~/1~	1	1
Flow pressure at nozzle (bar)	3~/1~	1.10	1.00
Flow velocity in centre 2 m from the nozzle (m/s)	3~/1~	1.20	1.15
Massage pressure (bar) max.	3~/1~	1.60	1.60
Multi-directional swivel nozzle (degrees)	3~/1~	60	60

For more detailed information regarding the motor protection please see page 141.

Article no	Description	Voltage	Power output P <sub>2</sub>
231.8600.000	BADUJET Riva - white LED	1~ 230 V	2.20 kW
231.8620.000	BADUJET Riva - multicoloured LED	1~ 230 V	2.20 kW
231.8500.000	BADUJET Riva - white LED	3 N~ 400/230 V	2.60 kW
231.8520.000	BADUJET Riva - multicoloured LED	3 N~ 400/230 V	2.60 kW
231.9851.000	Telescopic foot		

The pumps in the counter swim units can be used for pool water with a salt concentration of up to 0.5 %, i.e. 5 g/l.  
For higher salt concentrations please contact us.



^ With white or multicoloured LED



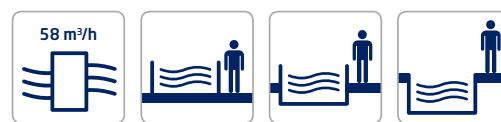
^ Also available with a telescopic foot for above ground pools



^ Also available with design inlay

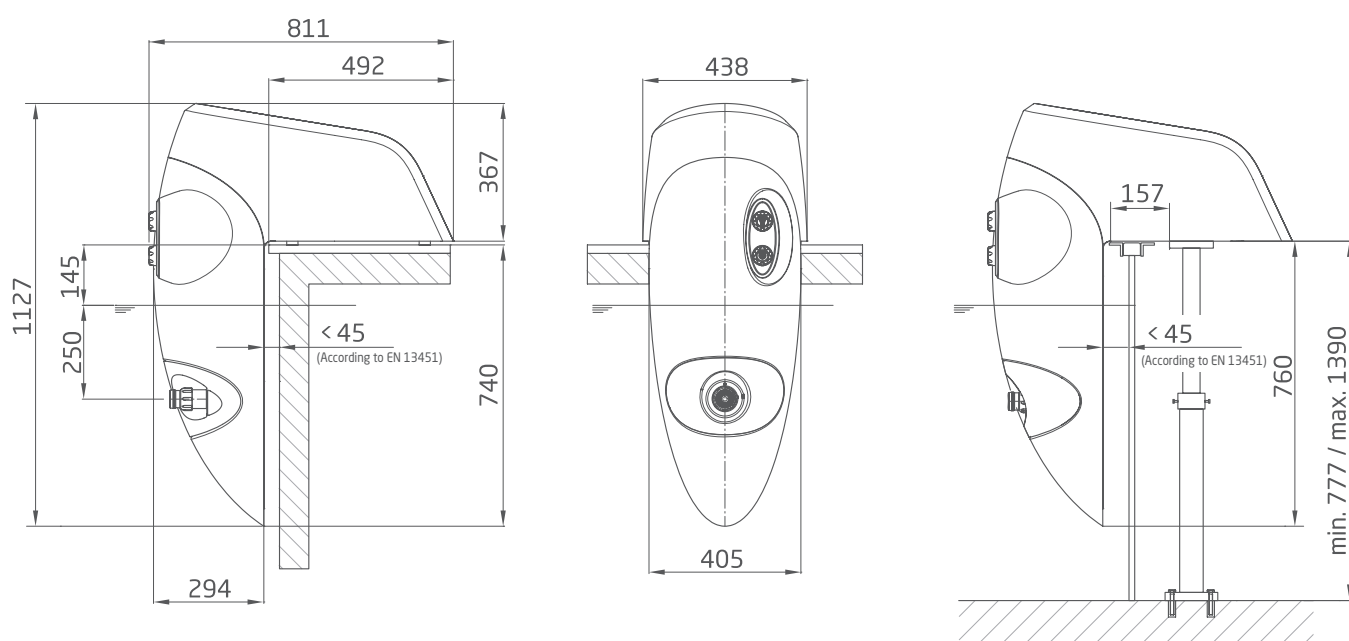


Scan the QR code for the BADUJET counter swim units application video ...



## Dimensions

Detailed dimensions available on request or at badu.de



# BADUJET Stella

Powerful overhang unit with high gloss finish and LED lighting.  
For large pools. UV resistant, scratch and stain resistant.

## Field of application

For expanding all pool models as an attraction, for fitness training, as a wave or bubble bath, for underwater massages (consult physician) for endless, no-turn swimming even in the smallest pool.

## Design

Water is drawn in through the suction inlet at the bottom of the unit using a powerful pump and led back into the pool through a strong jet via an adjustable nozzle. The BADUJET Stella can be fitted with an easy-care, high quality, wood-look design inlay.

For recommended accessories see page 126.

## Materials used

Housing ..... ABS/PMMA  
Interior parts ..... PP/ABS/stainless steel  
Control elements ..... ABS  
Suction/pressure line ..... PVC/ABS

Technical data at 50 Hz	BADUJET Stella	21-81/33 G
Pump flow rate (m <sup>3</sup> /h)	3~	75
Voltage	3~	3 N~ 400/230 V
Power input P <sub>1</sub> /output P <sub>2</sub> <sup>1)</sup> (kW)	3~	3.80/3.00
Number of nozzles (Ø 40 mm)	3~	2
Flow pressure at nozzle (bar)	3~	1.00
Flow velocity in centre 2 m from the nozzle (m/s)	3~	1.40
Massage pressure (bar) max.	3~	1.60
Multi-directional swivel nozzle (degrees)	3~	60

For more detailed information regarding the motor protection please see page 141.

Article no	Description	Voltage	Power output P <sub>2</sub>
231.9500.000	BADUJET Stella - white LED	3 N~ 400/230 V	3.00 kW
231.9520.000	BADUJET Stella - multicoloured LED	3 N~ 400/230 V	3.00 kW
231.9851.000	Telescopic foot		

The pumps in the counter swim units can be used for pool water with a salt concentration of up to 0.5 %, i.e. 5 g/l.  
For higher salt concentrations please contact us.



^ With white or multicoloured LED



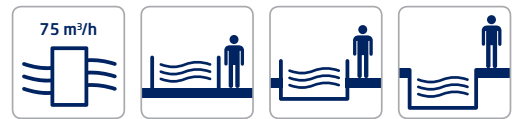
^ Also available with a telescopic foot for above ground pools



^ Also available with design inlay



Scan the QR code for the BADUJET counter swim units application video ...



**Dimensions**

Detailed dimensions available on request or at badu.de

